



# USER MANUAL

Shower Bay User Manual v. 1.2  
Forward Day LLC | Shower Bay  
2-1340 East Cliff Drive  
Santa Cruz, CA 95062 USA

© 2012 FORWARD DAY LLC

# TABLE OF CONTENTS

<b>1. Introduction</b>	<b>1</b>
<b>2. Contact Information</b>	<b>1</b>
<b>3. IMPORTANT SAFETY INFORMATION</b>	<b>2</b>
A. General Warnings	2
B. Precautions	3
<b>4. What is Shower Bay?</b>	<b>4</b>
A. Purpose of Shower Bay	4
B. Parts	4
C. Specifications	5
<b>5. Pre-Assembly Requirements</b>	<b>6</b>
A. Space Requirements	6
B. Electrical Requirements	7
C. Faucet Requirements	7
<b>6. Assembly Instructions</b>	<b>8</b>
A. Assemble the Shower Enclosure	8
B. Connect the Pump	14
C. Connect Showerhead to Water Source	17
<b>7. Operating Instructions</b>	<b>22</b>
A. Pre-Operation Checklist	22
B. Operating Instructions	23
<b>8. Storage</b>	<b>25</b>
A. Storage Precautions	25
B. Storage Procedure	25
<b>9. Maintenance</b>	<b>27</b>
A. Product Care	27
B. Cleaning	27
<b>10. Limited Warranty</b>	<b>28</b>
<b>APPENDIX A: PARTS LIST</b>	<b>30</b>
<b>APPENDIX B: QUICK ASSEMBLY</b>	<b>31</b>

## 1. INTRODUCTION

Congratulations on your *Shower Bay* purchase. We truly believe you've given yourself, or someone close to you, ***The Gift of a Shower.***<sup>™</sup>

*Shower Bay* is a safe and portable shower designed for wheelchair users. It will require your utmost attention at all times during assembly and operation. In order to assist you with your product, we've provided crucial safety information and step-by-step assembly and use instructions.



It is **mandatory** to take the time to read the entire user manual prior to assembly and operation of *Shower Bay*; failure to do so could lead to property damage, serious injury, and/or death. It is important that you **save this manual** for future reference.

Inspect the delivered boxes and *Shower Bay* components for damage prior to assembly and operation. If you believe any part of *Shower Bay* is damaged or defective, please immediately contact Forward Day LLC as detailed in **Section 2** below.



Please take a moment to watch the DVD that came with your *Shower Bay*, and for additional resources, visit us online at [www.showerbay.com](http://www.showerbay.com).

## 2. CONTACT INFORMATION


# rehabhire & sales

320 Lorimer Street Port Melbourne Victoria 3207

t: 03 9646 7200 | e: [contact@rehabhire.com.au](mailto:contact@rehabhire.com.au) | [www.rehabhire.com.au](http://www.rehabhire.com.au)

### 3. IMPORTANT SAFETY INFORMATION


This section summarizes information on the safe assembly and operation of *Shower Bay*. These symbols are reminders that all safety instructions and precautions should be read and understood before assembly, operation, maintenance, or repair of *Shower Bay*.

	DANGER indicates a hazardous situation which, if not avoided, will result in death or serious injury.
	WARNING indicates a hazardous situation which, if not avoided could result in death or serious injury.
	CAUTION, used with the safety alert symbol, indicates a hazardous situation which, if not avoided, could result in minor or moderate injury.
	NOTICE is used to address practices not related to personal injury.

When you see these symbols on other pages, pay special attention to the safety information presented. Observance of safety precautions will also help to avoid actions that could damage or adversely affect the performance of *Shower Bay*.

#### A. GENERAL WARNINGS

Read and understand the entire user manual before attempting to assemble or operate *Shower Bay*. Do not attempt to perform any assembly before carefully reading all instructions. Always follow the user manual during assembly and operation of *Shower Bay*. If in doubt as to how to proceed in any situation, contact Forward Day as detailed in **Section 2** above.

	Please be aware of these <b>General Warnings</b> when assembling or operating <i>Shower Bay</i> . Failure to assemble and operate <i>Shower Bay</i> in compliance with these warnings and cautions may result in property damage, serious injury, or death.
---	---



- *Shower Bay* should only be accessed by a person in a shower wheelchair approved by Forward Day, LLC. Using *Shower Bay* as a “walk-in” or “sit-down” shower increases the chance that the user will slip and fall.
- *Shower Bay* should never be used if any parts are damaged, cracked, leaking, scratched, or worn.
- *Shower Bay* should be assembled only in dry environments. As the pump requires access to electricity, the assembly and operation should allow adequate clearance (at least six (6) feet) from the electrical source to avoid the risk of electric shock.
- *Shower Bay* is intended to be used only with the provided parts. (Please refer to **Appendix A** for the complete Parts List.) Adding, removing, altering or changing of any parts may void the warranty and/or cause the shower to malfunction.
- *Shower Bay* should be assembled only by persons capable of lifting and maneuvering the components provided.

## B. PRECAUTIONS

*Shower Bay* should be assembled and operated in accordance with the following **Precautions:**


- Always be sure that the pump is on and running before you turn on any water.
- Never take the flow restrictor off the shower bracket. Removal may result in an overflow of the shower pan and can cause property damage.
- *Shower Bay* should be used only on a level and stable surface that is compatible with the rolling and maneuverability of the shower wheelchair.
- *Shower Bay* should never be left outside when it is not in use.
- *Shower Bay* and its parts should never be exposed to direct sunlight or excessive hot/cold environments.
- To avoid damaging *Shower Bay*, do not move the unit while it is assembled. Never push or pull an assembled unit. Please disassemble the unit prior to moving or storing it.

## 4. WHAT IS SHOWER BAY?

### A. PURPOSE OF SHOWER BAY

*Shower Bay* is a safe and portable shower designed for wheelchair users. Unlike other solutions on the market, *Shower Bay* offers a true shower experience without requiring dangerous wet-environment transfers or expensive home renovations. Our unique design allows for quick assembly in any room of the house. Just snap the unit together, connect to your standard faucet, turn on the pump, and you're ready to shower!

*Shower Bay* should be used and accessed only by a person in a shower wheelchair approved by Forward Day.

	Users should never leave their shower wheelchair while entering, bathing, or exiting the shower unit. Using the product as a walk-in or sit-down shower increases a person's chances for slipping and may result in the possibility of serious injury or death.
---	---

### B. PARTS

*Shower Bay* consists of the following numbered parts. For a one page snapshot of the parts, please refer to **Appendix A** at the end of this manual.

1-Shower Pan	6-Wall Cap	11-Out-hose (pump)	16 - Dispenser
2-Wall A	7- Mesh Strainer	12-Power Supply (pump)	17 - Scoop
3-Wall B	8-Grate	13- Power Cord (pump)	
4-Door A	9-Ramp	14- Aerator Wrench	
5-Door B	10-Showerhead Bracket	15- Faucet Fixture	

## C. SPECIFICATIONS

### Dimensions:

43.75" W x 50.25" H  
x 80" L

### Weight:

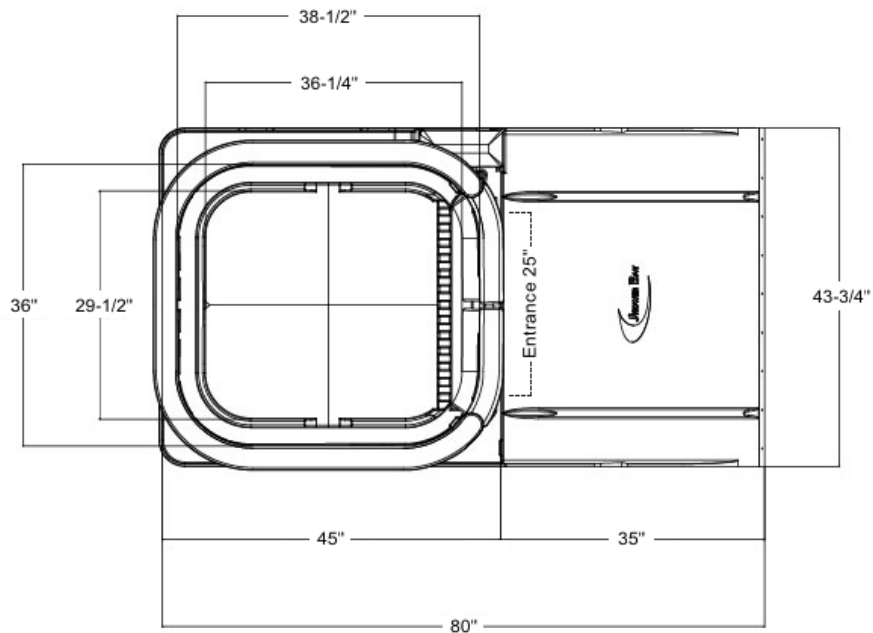
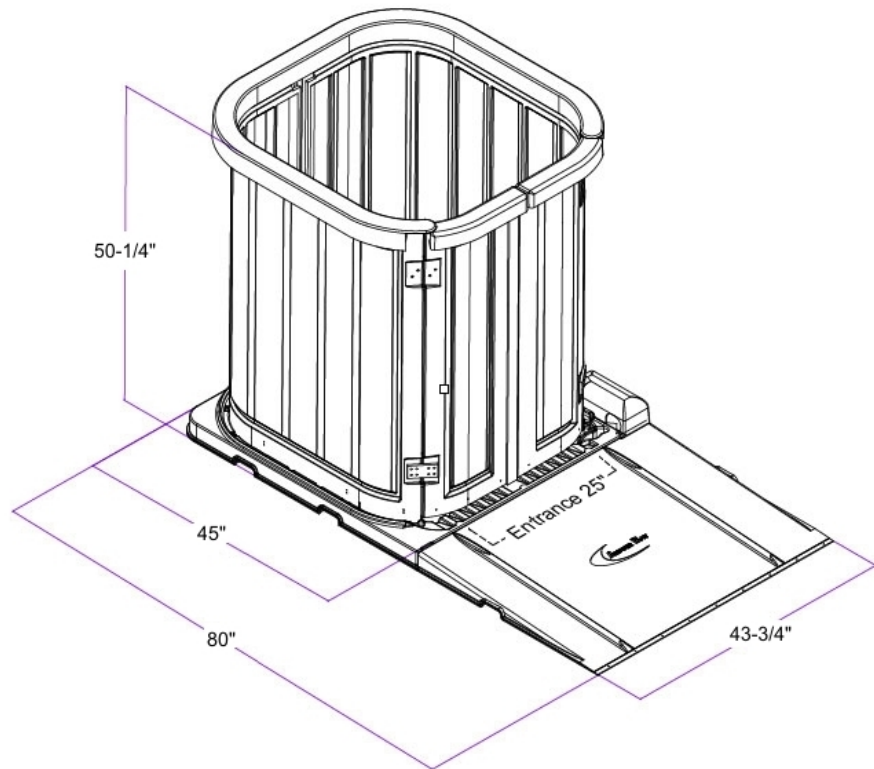
Fully assembled -  
118 lbs  
Largest single part -  
32 lbs (*Shower Pan*  
- item 1)

### Electrical (pump):

120 volt input, 12  
volt output.  
Combined electrical  
cord length is  
approximately 15  
feet. Operate  
*Shower Bay* no more  
than 12 feet from  
power source.


### Water supply:

Water enters  
*Shower Bay* at a rate  
of one-and-one-half  
(1.5) gallons per  
minute. *Shower  
Bay's* quick connect  
system is  
compatible with  
most standard  
home faucets (Male  
15/16" and Female  
55/64"). Water  
supply and out-  
hoses measure  
approximately 35  
feet.



## 5. PRE-ASSEMBLY REQUIREMENTS

Prior to assembling *Shower Bay*, please read and adhere to the following space, electrical, and water source requirements.

	Failure to adequately prepare for assembly of <i>Shower Bay</i> in accordance with these requirements could result in property damage, serious injury, or death.
---	--

### A. SPACE REQUIREMENTS


*Shower Bay* must be assembled and operated on a level surface with adequate clearance on all sides of the unit. At the front of the unit, be sure to allow for ample space for the user to access *Shower Bay*'s wheelchair ramp.

*Shower Bay* should be assembled and operated in a location that is an adequate distance from both the electrical power source and the water source/drain. Always be sure to assemble and operate *Shower Bay* in a safe location at all times, and in accordance with the following guidelines:

- Six (6) to twelve (12) feet from the electrical power source
- Within twenty (20) feet of the water supply and drain

Position *Shower Bay* on a level surface that can support the weight of the complete unit (118 pounds), in addition to the weight of the user and the shower wheelchair. The combined weight of the user and wheelchair should not exceed 300 pounds.

Remove all electrical appliances within four (4) feet of *Shower Bay* prior to assembly and operation.

	Remove valuable property from the room where <i>Shower Bay</i> is assembled and operated. While the shower is designed to enclose and pump out all water, a small amount of water may exit the unit during the showering process. In addition, misuse of the showerhead may result in water being sprayed outside of <i>Shower Bay</i> . For these reasons, it is important to remove any property from the showering area that could be damaged by water.
---	--

## B. ELECTRICAL REQUIREMENTS

To reduce the risk of electrical shock, *Shower Bay* uses a three-wire electrical cord that attaches to the DC power connector at the front right base of *Shower Bay*. To preserve this safety feature, never use a three-to-two wire plug adapter, and never use a two-wire extension cord or a two-wire non-grounding type of multiple-outlet receptacle strip. Users must always operate *Shower Bay* using the GFCI adapter at the end of the power cord plug. (If pump does not have power, push the “reset” button on the GFCI adapter.)

Operate *Shower Bay* six (6) to twelve (12) feet from the electrical power source.

## C. FAUCET REQUIREMENTS

*Shower Bay's* quick-connect faucet system is compatible with most standard home faucets. It screws on to both Male 15/16” and Female 55/64” faucet threads.

Note: *Shower Bay* cannot be attached to a sink faucet that has a pull-out spray hose.

If the desired water source faucet has an aerator at the tip of the waterspout, remove the aerator by spinning it counter clockwise with hand or supplied aerator wrench. This will expose the faucet threads so that you can attach the top portion of the quick-connect.

If the desired water source faucet does not have screw threads at the spout, *Shower Bay* will not be able to attach. Please look for another potential water source in the home that does have compatible threads.

Do not remove the white pipe tape around the top portion of the quick connect. The tape will allow for a tight seal and decrease the chance of leaking.

Note: If leaking appears during use, turn off water source and remove the quick connect. Tightly wrap pipe tape around the faucet tip and re-attach the quick connect onto the faucet.

## 6. ASSEMBLY INSTRUCTIONS

Prior to assembly, please review and ensure compliance with the requirements discussed in the previous section. Once you have ensured compliance with these requirements, you are ready to begin assembling your *Shower Bay*. During assembly, please adhere to the following **Assembly Instructions** in the order listed. **Save this manual** for future reference when assembling *Shower Bay*.



**Tip:** We encourage you to watch the enclosed DVD prior to assembly. The DVD demonstrates a “start-to-finish” assembly of *Shower Bay*.

**Appendix B** contains a one-page snapshot of the assembly process.

	<p><i>Shower Bay</i> should be assembled only in dry environments. Failure to follow this warning increases the risk of property damage, serious injury, or death associated with a “slip-and-fall” or electrical shock.</p>
	<p><i>Shower Bay</i> should be assembled only by persons capable of lifting and maneuvering the parts provided.</p>

Generally, the assembly process consists of three overarching steps: (A) assembling the shower enclosure; (B) connecting the pump; and (C) connecting the showerhead to the water source. **It is necessary to assemble *Shower Bay* according to each of the following procedural steps in the order listed below. None of the steps are optional.**

### A. ASSEMBLE THE SHOWER ENCLOSURE

Please refer to the **Parts List** enclosed with this manual (see **Appendix A**). For a quick view of the assembly process, please refer to **Appendix B**.

Parts needed: *Shower Pan* (item 1); *Wall A* (item 2); *Wall B* (item 3); *Door A* (item 4); *Door B* (item 5); *Wall Cap* (item 6); *Mesh Strainer* (item 7); *Grate* (item 8); *Ramp* (item 9).

#### 1) Position *Shower Pan* (item 1) on flat surface with adequate clearance on all sides.

Using the hand slots provided, place *Shower Pan* (item 1) on a flat surface with enough room to comfortably walk around the footprint of the pan.

Remember to leave adequate space at the front of the unit to allow the user wheelchair

access and mobility.

Position *Shower Bay* on a level surface that can support the weight of the complete unit (118 pounds), in addition to the weight of the user and the shower wheelchair. The combined weight of the user and wheelchair should not exceed 300 pounds.

## 2) Attach *Wall A* (item 2) to the *Shower Pan* (item 1).

Select *Wall A* (item 2) with latch side pointing down and insert wall into wall groove on *Shower Pan* (item 1).

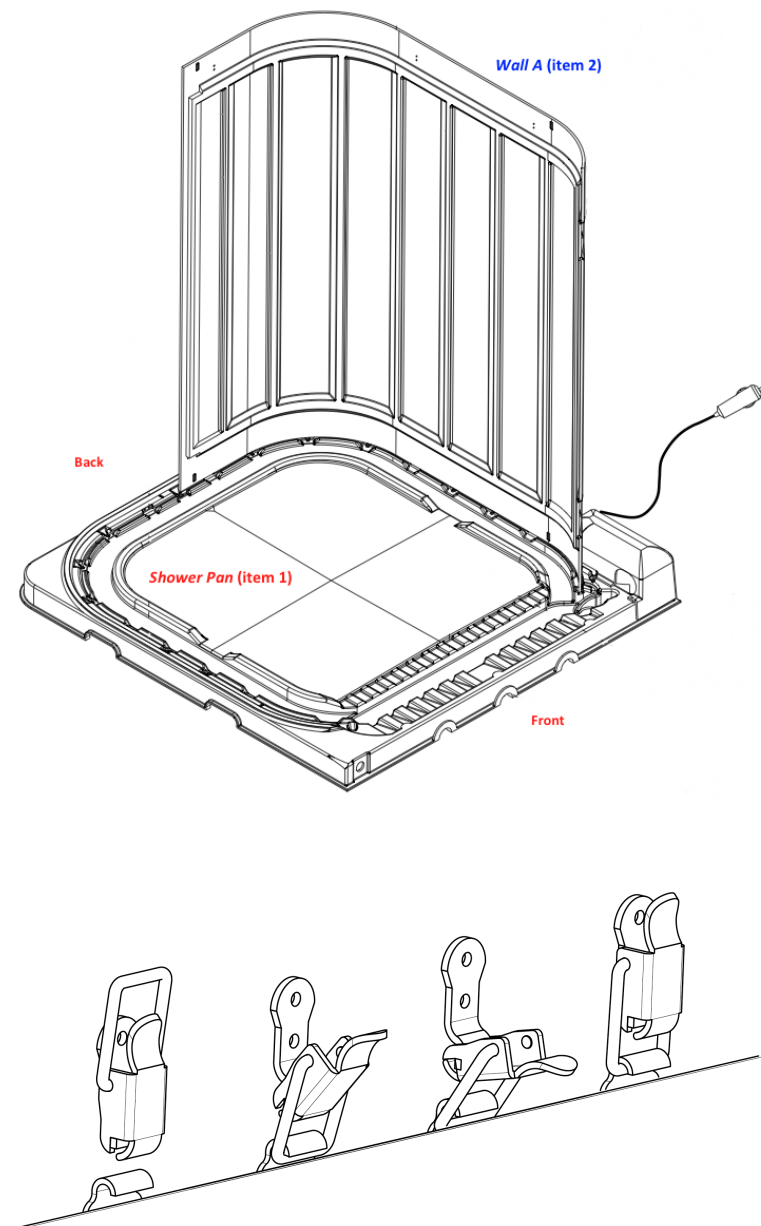
Check to see that latch swings do not interfere with the wall's alignment in the groove.

Make sure that all latches line up directly above pan clips.

When *Wall A* (item 2) is in the correct position, starting at the back of the *Shower Pan* (item 1), fasten *Wall A* to the *Shower Pan* using the attached latches and pan clips.

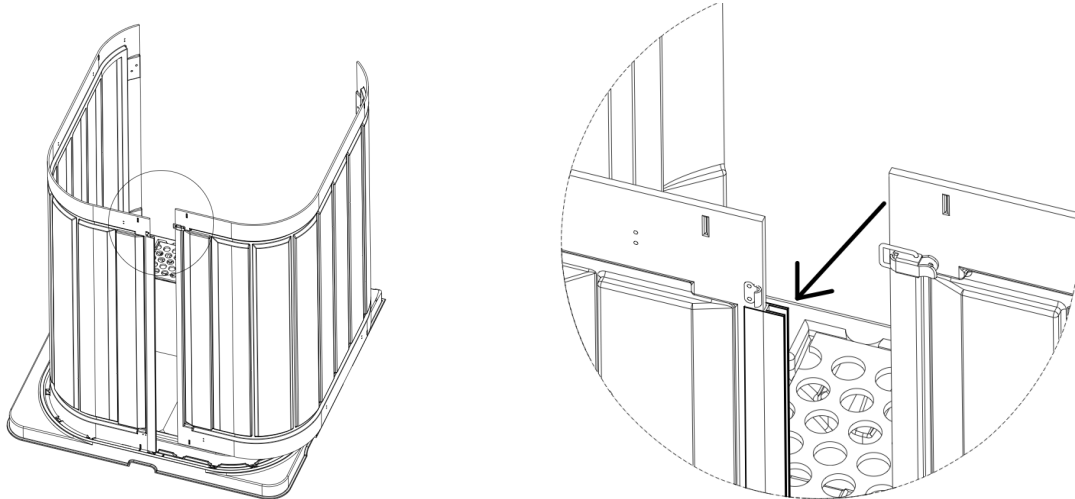
Continue the latching process for the remaining 3 latches on *Wall A* to pan.

When all 4 latches have been clamped, make sure wall has secure contact with shower pan at all connecting points.

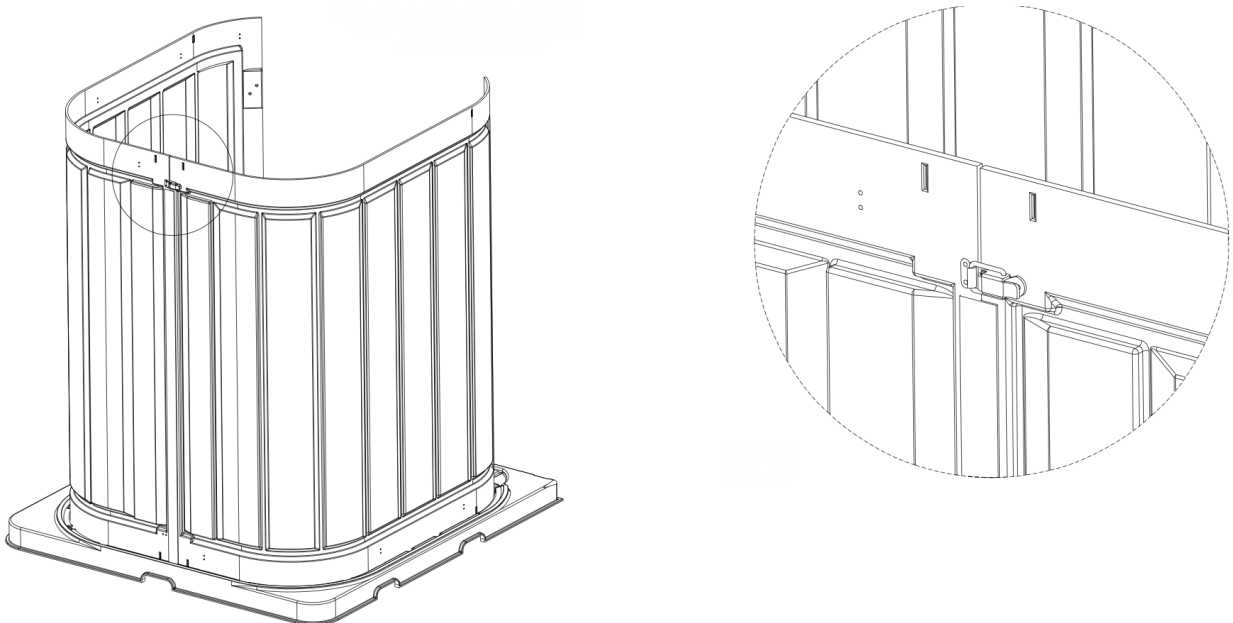


### 3) Attach *Wall B* (item 3) to *Wall A* (item 2) and *Shower Pan* (item 1)

- Fasten *Wall B* (item 3) to *Wall A* (item 2) by sliding *Wall B* into the “H-channel” groove connected to *Wall A*.



- Secure top rear latch to connect *Wall A* (item 2) to *Wall B* (item 3).



- Repeat **Step 2** to secure the *Wall B* (item 3) latches to the *Shower Pan* (item 1).



**4) Install Door A (item 4) & Door B (item 5).**

Install *Door A* (item 4) by sliding the door's hinge pins into the hinge fittings attached to *Wall A* (item 2).

Install *Door B* (item 5) by sliding the door's hinge pins into the hinge fittings attached to *Wall B* (item 3).

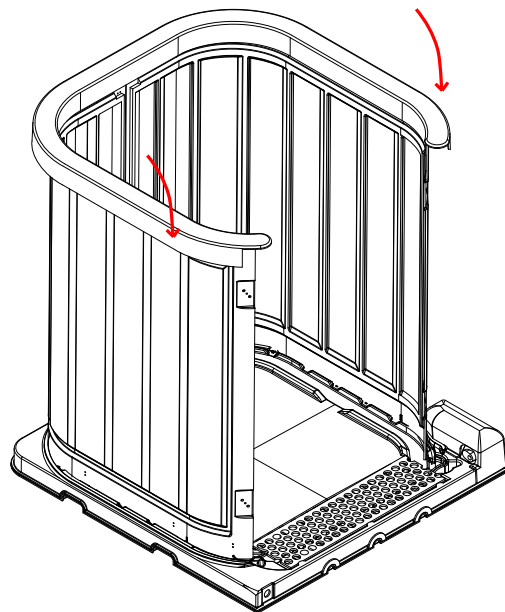
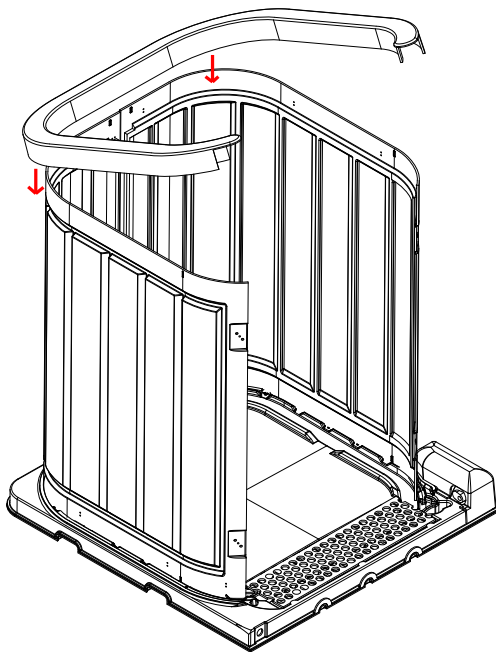
Make sure both doors rest securely in their respective hinges. The doors should pivot freely when opening and closing.

Close *Door A* (item 4) followed by *Door B* (item 5) so that the doors "lock" closed with the magnet strips.



**5) Attach Wall Cap (item 6) to the Top of Wall A (item 2) and Wall B (item 3).**

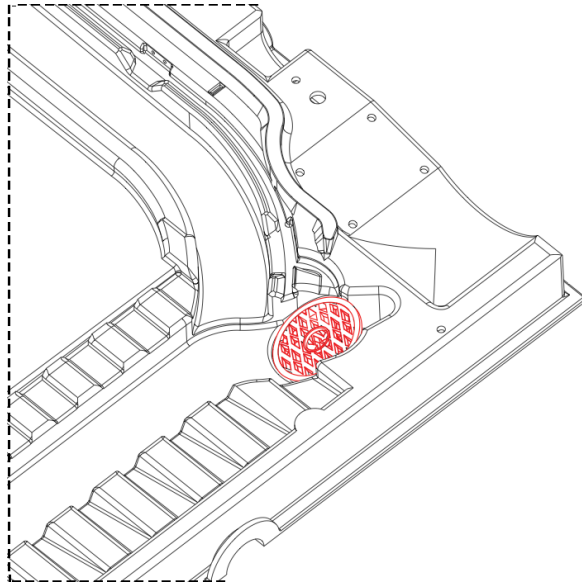
Starting at the rear of the unit, align the walls into the wall groove in the bottom side of the *Wall Cap*. The *Wall Cap* should be firmly pressed and sit level on the walls.



**6) Place *Mesh Strainer* (item 7) in angled strainer slot.**

Select *Mesh Strainer* (item 7) and place in the strainer slot located on the base of the *Shower Pan* (item 1) near the in-port for the pump.

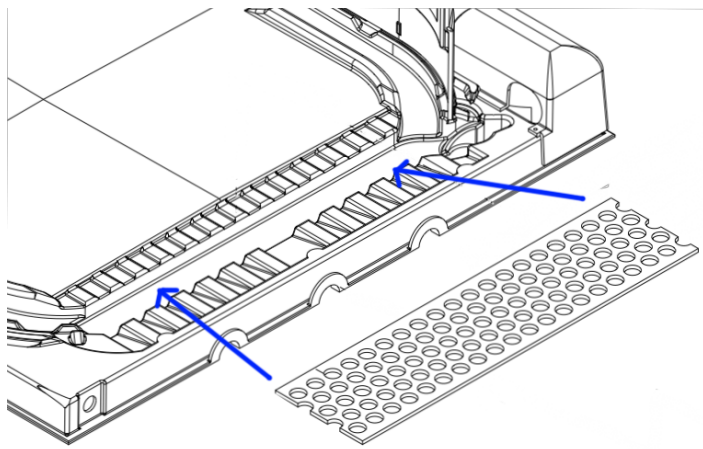
*Mesh Strainer* should sit firmly at a 45-degree angle when properly installed.



**7) Place *Grate* (item 8) in rectangle slot.**

Select *Grate* (item 8) and place in the grate slot located on front of *Shower Pan* (item 1).

Make sure the *Grate* sits level and is flush with *Shower Pan*.



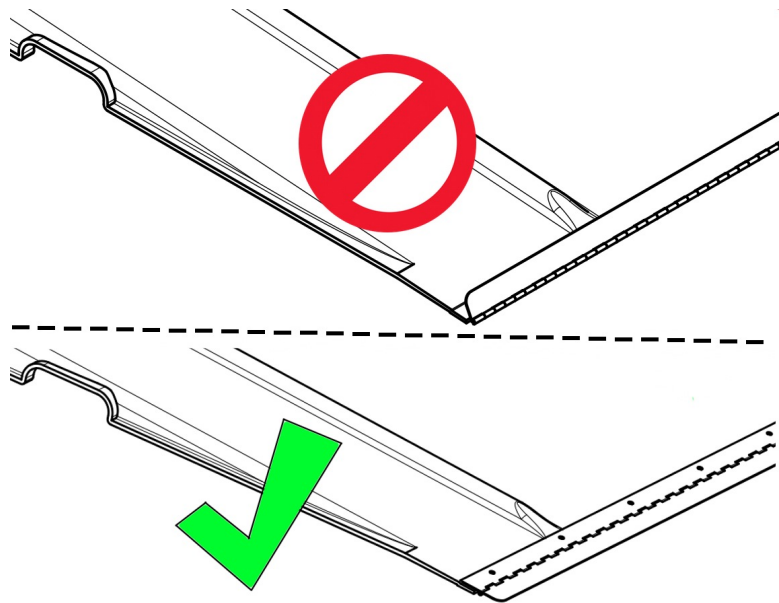
**8) Install Ramp (item 9) at entrance to Shower Bay.**

Select *Ramp* (item 9) by using hand slots.

Close doors on shower to allow placement of *Ramp*.

Place *Ramp* (item 9) onto edge of *Shower Pan* (item 1) making sure the pan's connecting points fit into the corresponding slots of the *Ramp*.

Make sure to check that *Ramp* is level and flush with *Shower Pan*.



Make sure transfer hinge at leading edge of ramp is angled down (level and flush with floor).

## B. CONNECT THE PUMP

Please refer to the **Parts List** enclosed with this manual (see **Appendix A**).

Parts needed: *Out-Hose* (item 11); *Power Supply* (item 12); *Pump Power Cord* (item 13)



There is a risk of death or serious injury from electric shock if *Shower Bay's* electric components come into contact with water. To reduce the risk of injury, do not handle or assemble the *Shower Bay* pump or any of its electric components in the presence of water or with wet hands.

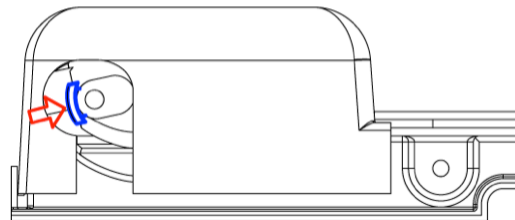
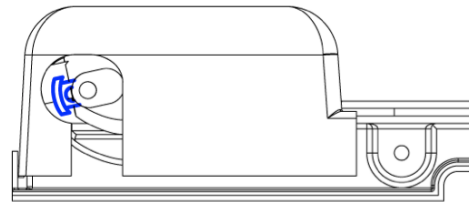
### 1) Connect *Out-Hose* (item 11) to the pump.

Insert the black pump connect of the *Out-Hose* (item 11) into the Out-hose port of the pump, located on the *Shower Pan* (item 1).

Secure the black pump connect by pushing the blue tab toward the *Out-Hose*. **The blue tab should “snap” into place.**

Make sure the insert is secure by lightly pulling on the *Out-Hose*. Confirm that the insert does not fall out of the port. If it does, retry securing the insert.

**NOTICE:** Do not continue until you are sure the insert is secure. If water appears near the base of the pump during use, make sure that the *Out-Hose* is securely connected with a “snap” of the blue tab.



**2) Place end of *Out-Hose* (item 11) in drain (e.g., sink or shower).**

- Take the rest of the *Out-hose* and walk it to the water drain (e.g., sink or shower)
- Secure *Out-hose* to water drain using the suction cup. In order to create tighter suction, first wet the surface of the area where the suction cup will be attached.
- Make sure that the hose will not be jolted by water pressure.
- Make sure that household drain is “open” and will allow for drainage from *Shower Bay*.
- Ensure the *Out-hose* is flat on the floor to avoid a tripping hazard.
- Make sure the *Out-hose* is not kinked, as this will restrict water flow from the pump.

**CAUTION:** Detachment of the suction cup may result in water being pumped out of the desired drain area.

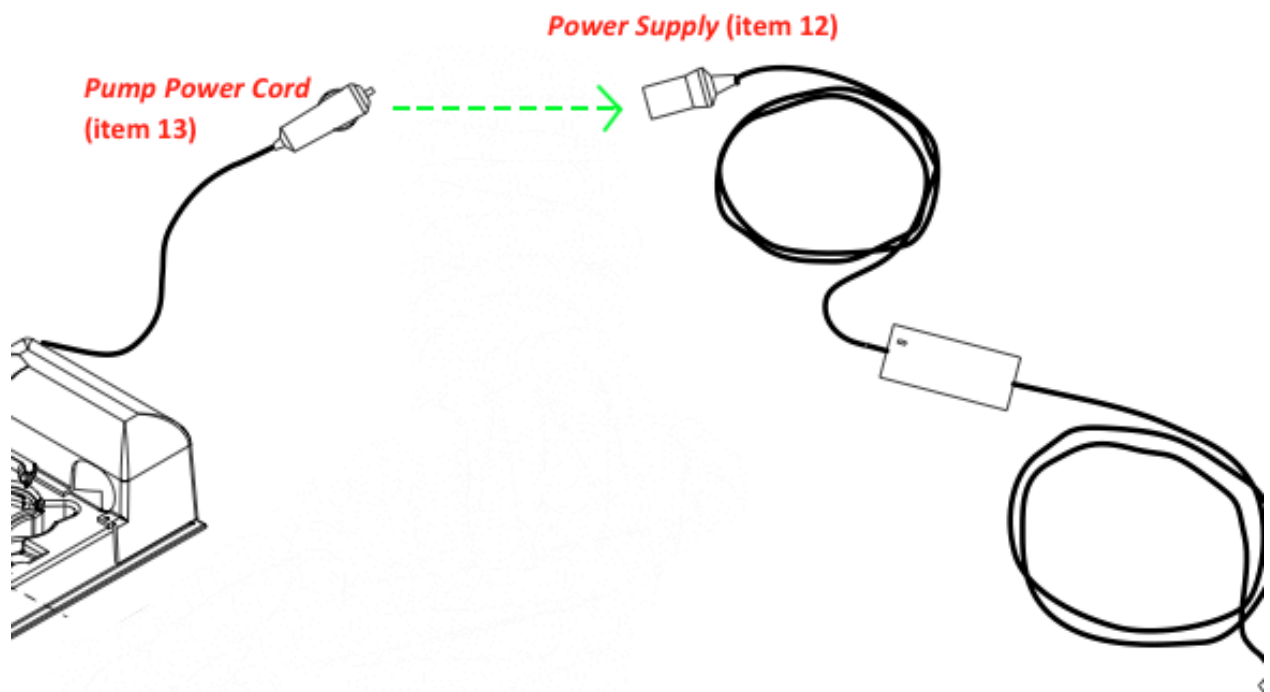
**3) Insert *Power Supply* (item 12) into a wall outlet.**

- **Always operate *Shower Bay* using the GFCI adapter at the end of the power cord.**
- Confirm that you have allowed adequate distance from the electrical outlet to avoid risk of electrical shock, while also keeping the *Power Supply* close enough to connect to the *Pump Power Cord*.

**DANGER!** There is a risk of death or serious injury from electric shock if *Shower Bay's* electric components come into contact with water. To reduce the risk of injury, do not handle or assemble the *Shower Bay* pump or any of its electric components in the presence of water or with wet hands.

**4) Insert black *Pump Power Cord* (item 13) into *Power Supply* (item 12).**

- Connect the *Pump Power Cord* (item 13) to the *Power Supply* (item 12). (If pump does not have power, push the “reset” button on the GFCI adapter.)
- The pump can run with or without water, and the noise is normal.
- In order to avoid overflow of the *Shower Bay*, it is important to leave the pump running “dry” at this step.



- **Always be sure that the pump is ON and RUNNING before you turn on any water.**

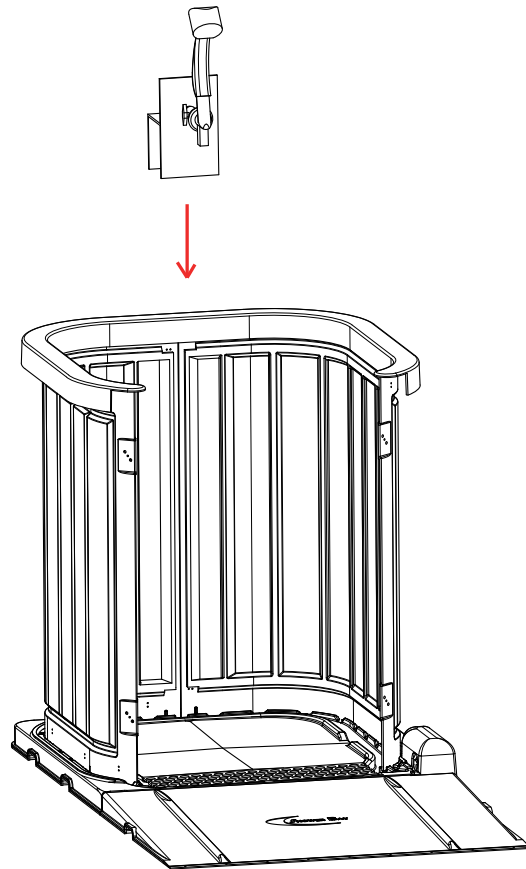
## C. CONNECT SHOWERHEAD TO WATER SOURCE

Please refer to the **Parts List** enclosed with this manual (see **Appendix A**).

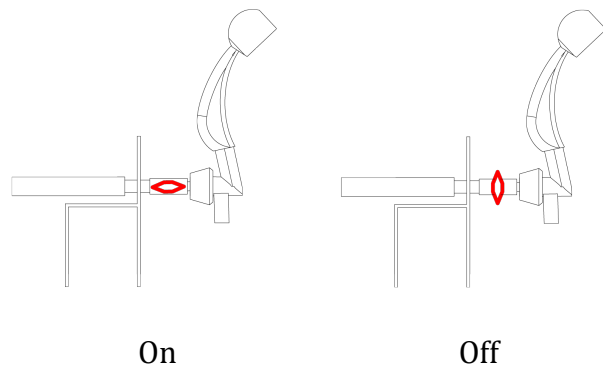
Parts needed: *Shower Bracket* (item 10); *Aerator Wrench* (item 14); *Faucet Fixture* (item 15)

### 1) Place *Shower Bracket* (item 10) onto *Wall Cap* (item 6)

Place *Shower Bracket* (item 10) onto the *Wall Cap* (item 6) with the showerhead facing towards the inside of the unit.



Make sure *on/off valve* is in the “**off**” position.





## 2) Prepare household faucet.

Go to the water supply, such as a kitchen or bathroom sink.

Some household faucets contain aerators that must be removed before connecting to *Shower Bay*.

If necessary, remove any existing faucet aerator tip from desired water source.

The *Aerator Wrench* (item 14) may provide a better grip for removal of the faucet aerator.

Removal of the aerator will expose the faucet's threads for the attachment of the quick connect.

Note: *Shower Bay* cannot be attached to a sink faucet that has a pull-out spray hose.

Faucet aerator attached



Faucet aerator detached



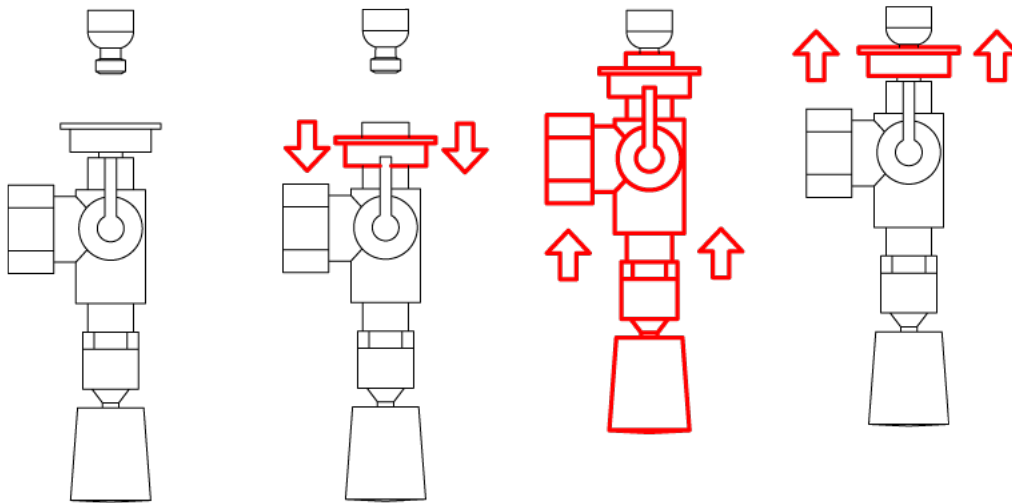
### 3) Attach *Faucet Fixture* (item 15) to household faucet.

Disconnect top portion of quick-connect from *Faucet Fixture* (item 15) by pushing down on the white ring and pulling up on the top portion (see illustration below).

Screw top portion of quick-connect on to the faucet.

Make sure the quick connect is tight and connected securely to the faucet.

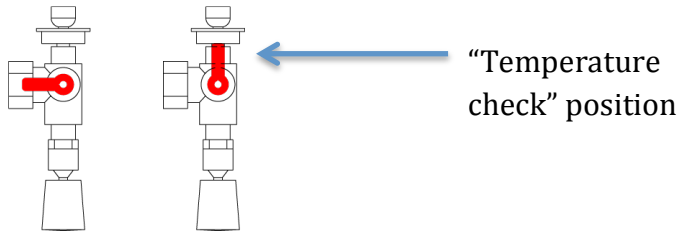
Attach the rest of the *Faucet Fixture* with the quick connect by pulling down on the white ring and securing the faucet fixture to the top portion of the quick connect.



**CAUTION:** Go back and confirm that the *In-Hose* (see items 10 and 15) is flat on the floor and will not be a hazard for tripping. Double check that the pump is on and running before ever turning on any water.

#### 4) Test the water temperature.

- Make sure the valve on the *Faucet Fixture* is pointing up and is in the “temperature check” position.

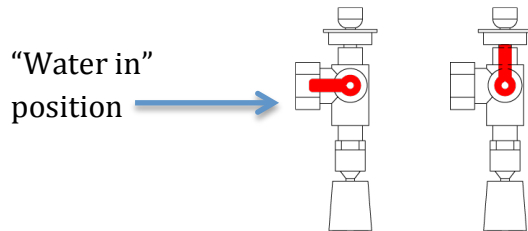


- Turn on the sink. Adjust water supply to desired temperature.

**CAUTION:** Return to shower unit to confirm that the pump is running, the doors are closed, the showerhead is positioned securely on the *Shower Bracket*, and the showerhead is facing down and into the shower unit.

## 5) Prepare to turn “on” the shower.

- Turn the valve on the *Faucet Fixture* to the “water in” position.



Note: The shower should not turn on because the on/off valve on the *Shower Bracket* (item 10) should still be in the “**OFF**” position.

- Turn the on/off valve on the *Shower Bracket* (item 10) to the “**ON**” position and check to make sure the water is to the desired temperature and pressure. The water pressure may be adjusted by rotating the showerhead.

**NOTICE:** Never take the flow restrictor off the *Shower Bracket*. Removal may result in an overflow of the *Shower Pan* and can cause property damage.

- Once the desired temperature and pressure are achieved, turn the valve at the *Shower Bracket* (item 10) back to the “**OFF**” position.

*Shower Bay* has now been fully assembled. In addition to the preceding **mandatory** steps, there is one optional step: if desired, attach the shampoo *Dispenser* (item 16) by following the instructions located inside the dispenser box.

**Note: While assembly has been completed, it is necessary to read the following sections to ensure safe and proper operation of *Shower Bay*.**

## 7. OPERATING INSTRUCTIONS

### A. PRE-OPERATION CHECKLIST

Prior to operation of *Shower Bay*, please confirm that you have completed the following initial steps:


- Review the General Warnings and Precautions in the **Important Safety Information** section
- Follow **Pre-Assembly Requirements**, including Space Requirements, Electrical Requirements, and Water Source Requirements
- Follow **Assembly Instructions** in the described order
- Check to make sure that *Shower Bay* is not damaged, cracked, leaking, or worn. If any of these are observed, do not continue to use the shower unit. Contact Forward Day LLC immediately (see section 2 above).

To avoid misuse of *Shower Bay*, you should also ensure the following:

- The *Pump Power Cord* (item 13) is safely connected to the *Power Supply* (item 12), and that the *Power Supply* (item 12) is connected to the electrical outlet.
- The pump is “on” and operating effectively.
- The pump hose is securely fastened to the water drain with the suction cup.
- The water drain is “open” and has adequate drainage to avoid overflow of the water being pumped out of *Shower Bay*.
- The mesh strainer is clean and will allow natural water flow to pass into the pump.
- *Shower Bay* has been assembled securely and the unit rests sturdily, as follows:
  - there is a tight seal between the walls and the base of the unit,
  - the two walls and two doors are securely fastened to the unit,
  - the shower cap has been secured strongly to the top of the unit,
  - the shower ramp has been securely connected to the front of the unit,
  - the shower head has been securely fastened, with the shower head facing down and into the shower base.

## B. OPERATING INSTRUCTIONS

Operating instructions consist of the following procedural steps. All steps are mandatory and **must** be completed in order. **None** of the steps are optional.

	<p><i>Shower Bay</i> should only be used and accessed by a person in an approved shower wheelchair. Using the shower as a walk-in or sit-down shower increases a person's chances for slipping and may result in the possibility of serious injury or death.</p>
---	--

### 1) Turn “on” pump

- Insert *Power Supply* (item 12) into a wall outlet using the GFCI adapter plug. (If pump does not have power, push the “reset” button on the GFCI adapter.)
- Insert black *Pump Power Cord* (item 13) into *Power Supply* (item 12).

### 2) Prepare water source

- Turn *Shower Bracket* (item 10) to “off” position.
- Turn the valve on the *Faucet Fixture* (item 15) to the “water in” position.

### 3) Access *Shower Bay* with shower wheelchair

- Open the doors of *Shower Bay* until they are wide enough to roll a wheelchair between them.
- User in wheelchair should approach *Shower Bay*'s ramp directly from the front, allowing enough room to have all wheels correct themselves in the same direction before making contact with the *Ramp*.
- Make sure the *Ramp* transfer hinge is flipped down flush against the floor.
- Approach the transition from floor to *Ramp* slowly and with caution.
- Make sure wheelchair wheels are lined up on the inside of the *Ramp* guides
- When the user is completely inside *Shower Bay*, lock the wheelchair's back wheels.
- Close doors, making sure that the door magnets secure the doors shut.

- To avoid spraying water outside of *Shower Bay*, ensure that the showerhead is angled down, into the shower, prior to turning the *Shower Bracket* to “**ON.**”

#### 4) **Start shower**

- Turn the on/off valve on the *Shower Bracket* (item 10) to “**ON.**”

**NOTICE:** Check first to make sure the pump is powered “**ON**” and running.

**CAUTION:** Caregivers assisting users of *Shower Bay* should never enter the bathing environment due to the risk of slipping and falling.

#### 5) **Finish shower**

- When the user has finished bathing turn the on/off valve on the *Shower Bracket* (item 10) to the “**OFF**” position.
- Unlock the wheels of the wheelchair and carefully back the wheelchair down the ramp.
- Keep the pump running for an additional 5 minutes after the source water has been turned off, so that any water in shower base and hose is pumped out.

Note: A small amount of residual water may remain inside the unit, similar to what occurs in a standard shower.

- Go to the sink and turn the water “**OFF**” at the sink controls to ensure that water has been stopped
- Turn the *Faucet Fixture* (item 15) to the “**temperature check**” position to release any backpressure water into the sink. (This will also ensure the next time *Shower Bay* is used, the water will flow into the sink and not directly to the shower.)

#### 6) **Post-shower cleaning**

- Check and clean the *Mesh Strainer* after every use to make sure that it is not clogged and that it will allow proper water flow in next use.
- Clean and inspect *Shower Bay* after each use to ensure a sanitary and safe bathing environment.
- If you hear or feel water inside of the *Shower Base*, remove the plug at the front left of the base to drain the water.

## 8. STORAGE

### A. STORAGE PRECAUTIONS

*Shower Bay* should never be lifted or moved as a partially assembled or fully assembled unit. Disassemble all of the parts prior to moving *Shower Bay*.

*Shower Bay* should be assembled/disassembled only by persons capable of lifting and maneuvering the provided components.

*Shower Bay* and its parts should never be left outside when it is not in use. *Shower Bay* and its parts should not be exposed to direct sunlight, or excessive hot or cold environments.

#### NOTICE

*Shower Bay* should be stored in a safe and secure location, such that the parts are not subject to undue pressure or friction.

### B. STORAGE PROCEDURE

*Shower Bay* can be stored properly in accordance with the following steps:

- 1) Detach the quick-connect at the *Faucet Fixture* (item 15) and allow any water to drain into the sink.
- 2) Walk the *Faucet Fixture* (item 15) and its attached in-hose back to the shower.
- 3) Coil the in-hose by hand and place the coiled hose over the showerhead so that any residual water will drip into the shower.
- 4) When all water has been pumped out of the pump reservoir, disconnect the black *Pump Power Cord* (item 13) from the *Power Supply* (item 12) to turn off the pump.
- 5) Disconnect the *Power Supply* (item 12) from the wall outlet.

#### ⚠ DANGER

To avoid the risk of electrical shock, make sure that your hands are dry whenever you handle the *Pump Power Cord* (item 13) or the *Power Supply* (item 12). These parts should be stored in a dry location, separate from *Shower Bay*, to ensure that they are not exposed to water.


- 6) Disconnect the *Out-hose* (item 11) from the pump out-port. Walk the *Out-hose* back to the drain location, making sure all residual water is emptied into the drain.
- 7) Once you have drained the *Out-hose* (item 11), coil it by hand and place it next to the *In-hose* over the showerhead on the inside of the shower.
- 8) Note: If desired you may detach the *Ramp* (item 9) from the *Shower Pan* (item 1) and store it inside the shower enclosure to create a smaller unit footprint when not in use.



## 9. MAINTENANCE


### A. PRODUCT CARE

A maintenance inspection of the unit should occur before and after every use of *Shower Bay*.

	<p><i>Shower Bay</i> should never be used if any parts are damaged, cracked, leaking, scratched, or worn. If any of these are observed, do not continue to use the shower unit. Contact Forward Day LLC immediately (see <b>Section 2</b> above).</p>
---	---

### B. CLEANING

*Shower Bay* should be cleaned regularly with a multi-purpose disinfectant cleaner and scrubbed with a sponge or a soft brush. Always read the cleaner's instructions/warnings prior to use to ensure that it will not damage *Shower Bay* or its components. (For reference, *Shower Bay*'s components are largely made of ABS plastic.)

	<p>Do not clean <i>Shower Bay</i> with a solution containing greater than one percent (1.0%) Sodium Hypochlorite (bleach). Thoroughly wash off all cleansers with fresh water when cleaning <i>Shower Bay</i>.</p>
---	--

To minimize the risk of mildew buildup the entire *Shower Bay* unit should be wiped down with a soft dry cloth after the final rinse and before storage.

On an "as-needed" basis, *Shower Bay* and its components should be wiped down with a diluted calcium/lime removal solution, followed by a hot water rinse, in order to reduce harmful deposit buildup on the unit.

The *Scoop* (item 17) is provided with the unit to assist with removal of any solid matter remaining in *Shower Bay* during and/or after use.

## 10. LIMITED WARRANTY

The separate sheet enclosed with *Shower Bay* contains the terms and conditions of the Limited Warranty. Please refer to that sheet and return the warranty registration card within 30 days of purchasing the product.

For your convenience, we have reproduced the Limited Warning below. Remember to return the warranty registration card attached to the original warranty sheet.

### **Shower Bay Limited Warranty**

This warranty is extended only to the original purchaser/user of our product. This warranty gives you specific legal rights and you may also have other legal rights that vary from state to state.

In order to be eligible for service under this warranty you **MUST** return the attached warranty registration card within 30 days of purchasing the product.

With regard to the original purchaser/user only, Forward Day warrants its product to be free from defects in materials and workmanship for a period of one (1) year from the date of purchase. If within such warranty period any such product shall be proven to be defective, such product shall be repaired or replaced, at Forward Day's option. This warranty does not include any labor or shipping charges incurred in replacement, part installation, or repair of any such product. Forward Day's sole obligation and your exclusive remedy under this warranty shall be limited to such repair and/or replacement.

For warranty service, please contact the dealer from whom you purchased your Forward Day product. In the event you do not receive satisfactory warranty service, please write directly to Forward Day using the contact information located in this manual. Provide dealer's name, address, model number, date of purchase, indicate nature of the defect and, if the product is serialized, indicate the serial number. Forward Day will issue a return authorization. The defective unit or parts must be returned for warranty inspection using the serial number, when applicable, as identification within thirty (30) days of return authorization date. Do NOT return products to Forward Day without our prior consent. C.O.D. shipments will be refused; please prepay shipping charges.

LIMITATIONS AND EXCLUSIONS: THE WARRANTY SHALL NOT APPLY TO PROBLEMS ARISING FROM NORMAL WEAR OR FAILURE TO ADHERE TO THE ENCLOSED INSTRUCTIONS. IN ADDITION, THE FOREGOING WARRANTY SHALL NOT APPLY TO SERIAL NUMBERED PRODUCTS IF THE SERIAL NUMBER HAS BEEN REMOVED OR DEFACED; PRODUCTS SUBJECTED TO NEGLIGENCE, ACCIDENT, IMPROPER OPERATION, IMPROPER MAINTENANCE OR STORAGE; OR PRODUCTS MODIFIED WITHOUT FORWARD DAY'S EXPRESS WRITTEN CONSENT INCLUDING, BUT NOT LIMITED TO: MODIFICATION THROUGH THE USE OF UNAUTHORIZED PARTS OR ATTACHMENTS; PRODUCTS DAMAGED BY REASON OF REPAIRS MADE TO ANY COMPONENT WITHOUT THE SPECIFIC CONSENT OF FORWARD DAY; PRODUCTS DAMAGED BY CIRCUMSTANCES BEYOND FORWARD DAY'S CONTROL; PRODUCTS REPAIRED BY ANYONE OTHER THAN AN AUTHORIZED FORWARD DAY DEALER. SUCH EVALUATION SHALL BE SOLELY DETERMINED BY FORWARD DAY.

THE FOREGOING EXPRESS WARRANTY IS EXCLUSIVE AND IN LIEU OF ANY OTHER WARRANTIES WHATSOEVER, WHETHER EXPRESS OR IMPLIED, INCLUDING THE IMPLIED WARRANTIES OF

MERCHANTABILITY AND FITNESS FOR A PARTICULAR PURPOSE, AND THE SOLE REMEDY FOR VIOLATIONS OF ANY WARRANTY WHATSOEVER, SHALL BE LIMITED TO REPAIR OR REPLACEMENT OF THE DEFECTIVE PRODUCT PURSUANT TO THE TERMS CONTAINED HEREIN. THE APPLICATION OF ANY IMPLIED WARRANTY WHATSOEVER SHALL NOT EXTEND BEYOND THE DURATION OF THE EXPRESS WARRANTY PROVIDED HEREIN. FORWARD DAY SHALL NOT BE LIABLE FOR ANY CONSEQUENTIAL OR INCIDENTAL DAMAGES WHATSOEVER.

THIS WARRANTY SHALL BE EXTENDED TO COMPLY WITH STATE/PROVINCIAL LAWS AND REQUIREMENTS.

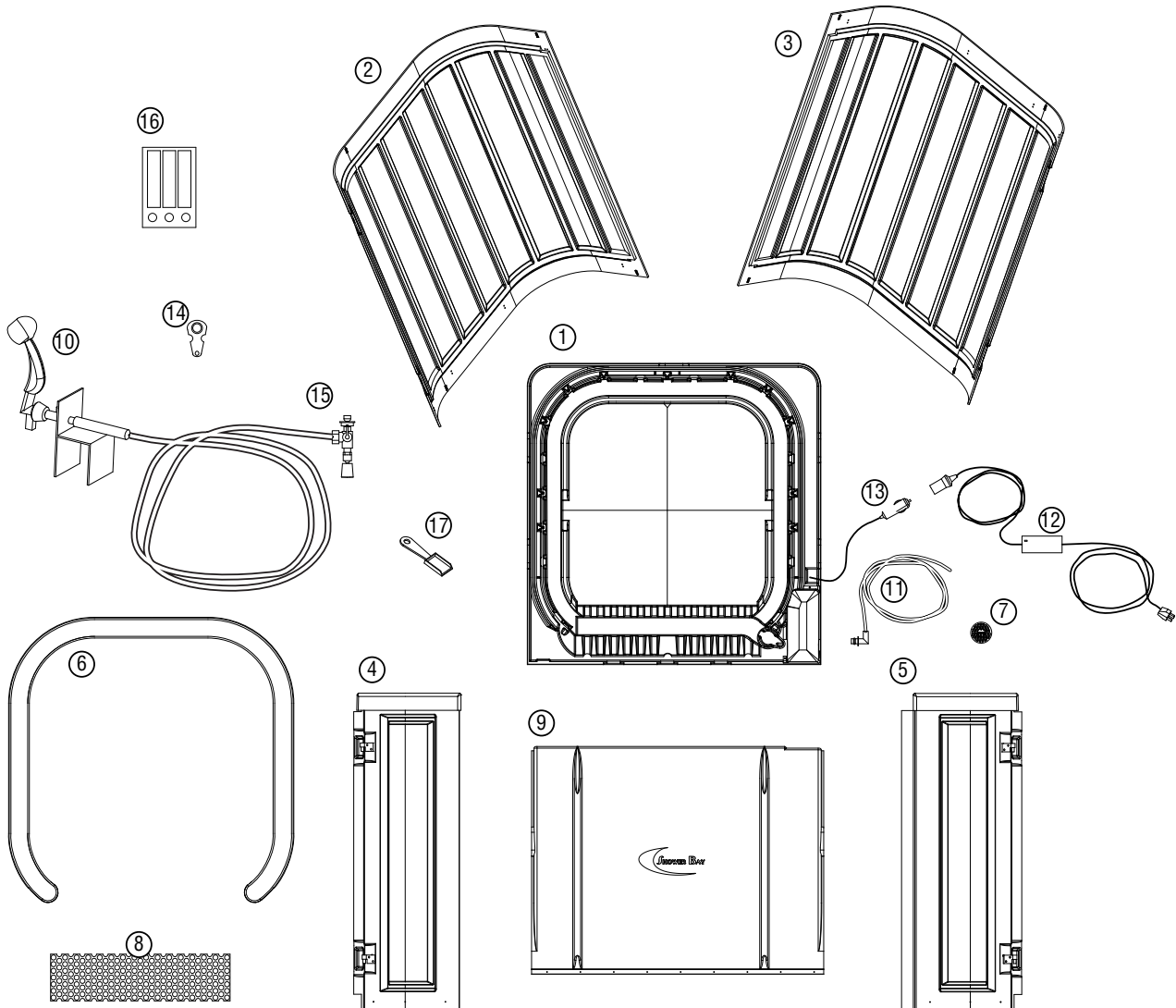
**REMINDER!** In order to be eligible for service under this warranty you **MUST** return the warranty registration card within 30 days of purchasing the product.

# rehabhire & sales

320 Lorimer Street Port Melbourne Victoria 3207

t: 03 9646 7200 | e: [contact@rehabhire.com.au](mailto:contact@rehabhire.com.au) | [www.rehabhire.com.au](http://www.rehabhire.com.au)

## APPENDIX A: PARTS LIST



1-Shower Pan	6-Wall Cap	11-Out-hose (pump)	16 - Dispenser
2-Wall A	7- Mesh Strainer	12-Power Supply (pump)	17 - Scoop
3-Wall B	8-Grate	13- Power Cord (pump)	
4-Door A	9-Ramp	14- Aerator Wrench	
5-Door B	10-Showerhead Bracket	15- Faucet Fixture	

# APPENDIX B: QUICK ASSEMBLY

